



**Soon Strong Machinery
Works Co.,Ltd**
申川機械工廠股份
有限公司



**Raymond Roller Mill
of SRM series**

- **Strong body**
- **Friendly design**
- **Reliable & Economic machine**

申川雷蒙磨粉機系列

- 堅固機身
- 人性化貼身設計
- 可靠經濟機型



Product description

Soon Strong Raymond Mill (Raymond Grinder) is suitable for producing minerals powder, which is widely used in the fields of metallurgy, building materials, chemical, and mining industry. It can be used to grinding the material that Moh's hardness degree is below 5, and humidity is in 6% non-flammable explosive minerals' processing. The final product size is adjustable as required in the range of 100-325 meshes (0.125mm -0.044mm) and with whizzer classifier the screen-passing rate could be up to 97%. If you arrange 2^{ed} classifying system that screen-passing rate could be more above 99.9%.

Soon Strong Raymond Mill is made up of the Mainframe, Separator, Powder Collection system, Pipeline System, Air Blower, Jaw Crusher, Bucket Elevator, Vibrating Feeder, and Electric Control Motor and so on (for details see underlying graph of installation)

產品敘述

申川雷蒙磨粉機適用礦石磨粉，而磨好的原料應用於冶金、建材、化工、礦業等工業，而投入原料適用莫氏硬度 5 度以下、含水份 6% 以下且非爆炸性物質及製程的礦物，最後產品細度落於 100-325 meshes (0.125mm -0.044mm) 之間且搭配惠式分級機產品通過率可達 97%，若搭配二次分級系統，產品通過率更可達 99.9% 以上

申川雷蒙機系統大體由本體、分級機、粉塵收捕系統、管路、風車、顎碎機、斗升機、震動供料機及其他電器系統等基本元件組成。

Cyclone Collector

旋風收捕器

Air duct

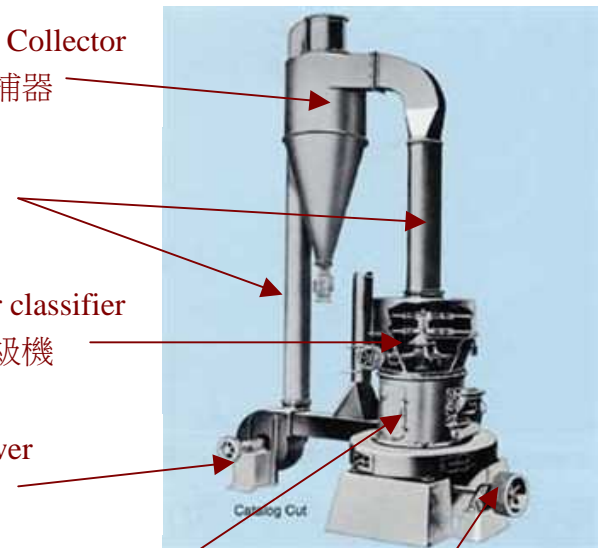
風管

Whizzer classifier

惠式分級機

Air blower

風車



Raymond Mill

雷蒙機本體

Driving system

驅動系統

Material requirement

*Inlet size: Dia. under 8mm

*Hardness: Under Mohs 5

*Product size range: $d_{97}=44\sim 125\ \mu\text{m}$ (325~100 mesh)

■ Calcium carbonate

Limestone Marble Calcite Dolomite

■ Ceramic Materials

Feldspar

■ Industrial Minerals

Barite Bentonite Coal Cokes Graphite Gypsum

Rock phosphate Slaked lime Talc Zeolite

原料研磨條件

*進料大小: 直徑 8mm 以下

*硬度: 莫氏硬度 5 以下

*產品顆粒大小: $d_{97}=44\sim 173\ \mu\text{m}$ (325~80 mesh)

■ 碳酸鈣鹽

石灰石 大理石 方解石 白雲石

■ 水泥材料

長石

■ 工業用礦石

重晶石 火山黏土 煤炭 焦炭 石墨 石膏

磷酸鹽石 熟石灰石 滑石 沸石

SRM series specification 申川雷蒙機規格

Model 型號	Ring size 磨環尺寸	SRM power 主機馬力 (HP)	Capacity 產量 (Ton/h) (2)	Whole plant power 整廠總馬力 (1)
SRM-2435	24"	15	0.5~1	60
SRM-3036	30"	20	1~1.3	84
SRM-3637	36"	30	1.3~2.2	105
SRM-4247	42"	50	2~4	150
SRM-5057	50"	75	3.5~7	250
SRM-6068	60"	150	6~11	350

(1) Whole plant equipment included Crusher、Elevator、Breaker、Fan、Classifier, storage & dust collection equipment of raw material

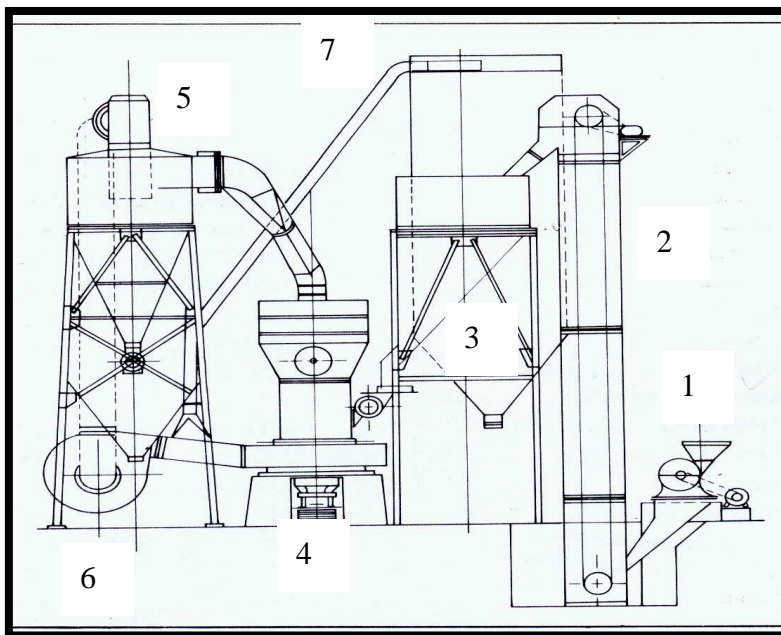
整廠設備包含顎碎機、提運機、中碎機、風車、分級機，其他原料儲存及集塵設備

(2) The capacity is adjustable by product particle size & the material status. The above data is for reference.

產量依產品顆粒細度及原料條件而有所調整，以上數據僅供參考

R.M. equipment P.I.D (Close type)

雷蒙機設備標準流程圖(封閉式循環)



Product feature 產品特點

1. Close type could keep away powder pollution.
封閉式循環能避免粉塵污染
2. It could be contained under 6% moisture at inlet material and could be dried in process.
投入原料能含水 6% 進而在製程中烘乾
3. It would be saved production cost
能節省生產成本

- | | | |
|--------------------|----------------------------|------------------------------|
| 1. Hammer Mill 中碎機 | 4. R.M 雷蒙主機 | 6. Blower 風車 |
| 2. Elevator 提升機 | 5. Cyclone Collector 旋風收捕器 | 7. Pulsaire Collector 脈衝式集塵機 |
| 3. Tank 儲料桶 | | |

OFFICE/FACTORY:NO:2. LUNG-SHIANG 1RD. LUNG-TEH IND.
AREA SU-AO CHEN I-LAN HSIEN TAIWAN R.O.C
Tel:886-3-9901815,9901816 Fax:886-3-9905677
Website:http://soonstrong.com.tw E-mail:soon.strong@msa.hinet.net



總公司/工廠:台灣宜蘭縣蘇澳鎮龍祥一路二號(龍德工業區)
 電話: 886-3-9901815,9901816 傳真: 886-3-9905677
 網址: http://soonstrong.com.tw 電子郵件:soon.strong@msa.hinet.net